



## The Rain Gauge Inner Tube Support



No more balancing the inner tube and funnel in one hand while trying to carefully pour from the four inch tube with the other hand!



The ITS provides solid support for both the inner tube and the funnel, allowing you to easily control pouring of water from the four inch outer tube.

The ITS is easy to make. All you need are a few simple tools and a 12" x 12" piece of 3/4" plywood. Dimension pine lumber can also be used. See attached plans.

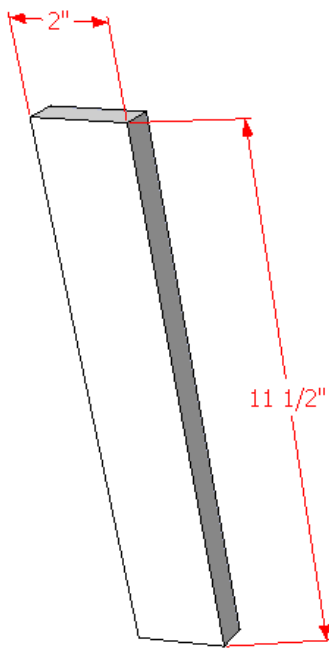
***"Because every drop counts!"***

## Rain Gauge Tube Support

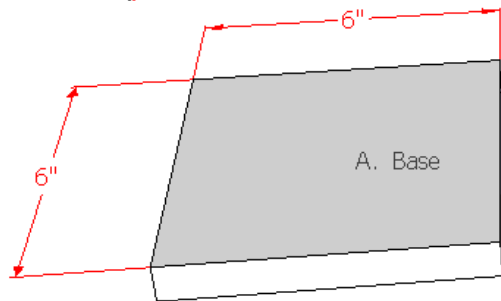
Parts cut from 3/4" plywood. Standard lumber can also be used.  
Standard 1x2" lumber can be used for the vertical supports. These should be centered on the tube supports (7/8" from edge instead of 5/8").  
1 1/2" hole in tube support is cut with a 1 1/2" hole saw.

Support should be painted with outdoor paint for protection from moisture.

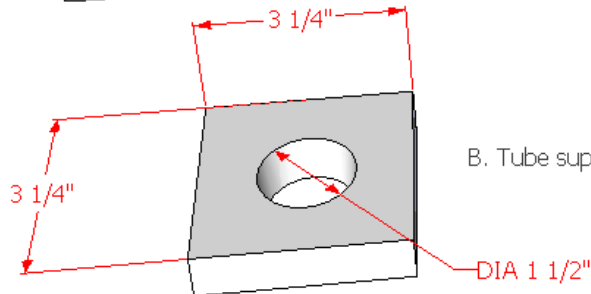
Design by Steve Hilberg 2015



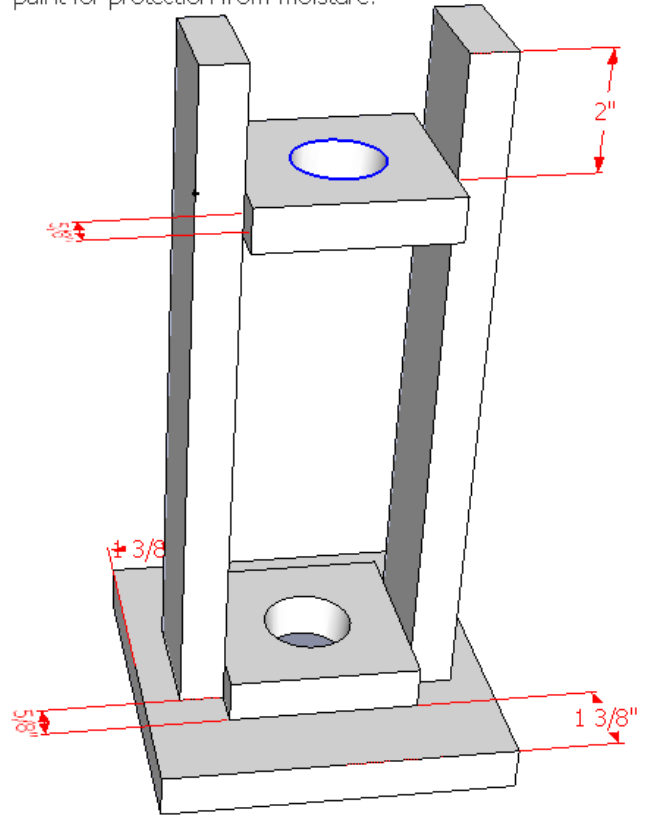
C. Vertical support (2 required)



A. Base



B. Tube support (2 required)



The tube support can be assembled with nails or screws. It is easier to assemble the four support pieces (B and C) then attach that assembly to the base. This design will support both types of funnels for the 4 inch rain gauge, with wings (NWS type) and without.